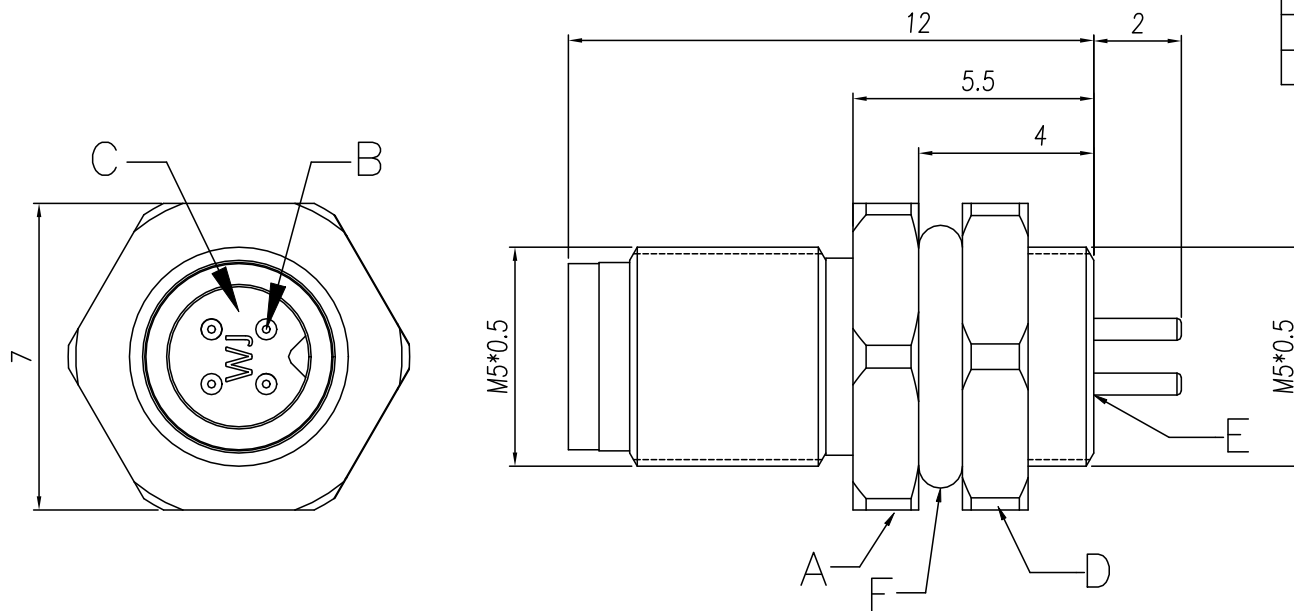
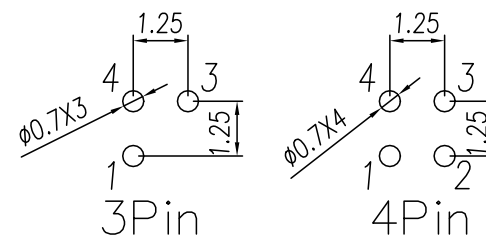


REVISION RECORD				
REV.	DESCRIPTION	ECN No.	APPROVED	DATE
V0	--	/		2021.06.25

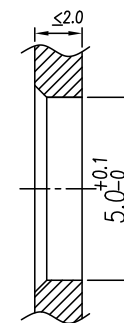
IEC 技术参数		IEC61076-2-105
IEC Technical Data		
工作温度 Operating temperatur [°C]		-25~+80
防护等级 IP Class (IN Locked condition)		IP67
额定电压 Rated Voltage [V]		60
额定电流 Rated Current [A]		1
导线截面积 Conductor cross section		/
硬质/柔性导线 Solid/ flexible [mm ²]		/
接线范围 Wire Range		PCB
单/多芯线 Solid/Stranded [AWG]		
材料 Material		
绝缘材料 Insulation Material		PA 66
阻燃等级 Imflammability		UL94V-0
导体材料 Contactor Material		铜合金 Copper alloy
导体镀层 Contactive Coating		镀金 Gold Plated
螺母/螺丝 Connector Nut/Screw		Brass With Nickel Plated 铜镀镍
符合RoHS环保要求		



Contacts Pin 数	3Pin	4Pin
Coding 编码	A-Coding	A-Coding
Rated Current 额定电流	1A	1A
Rated Voltage 额定电压	60V	60V
PART NO. 品名:	M05-A03-ST0-M01-BH1	M05-A04-ST0-M01-BH1
Customized. 定制化:



PCB Layout



Panel cut-out

F	O-Ring	O-Ring FKM Black	pcs	1	
E	Resin	Black epoxy resin for sealing	g	1	
D	Nut	Nut:M5X0.5,Brass With Nickel Plated	pcs	1	
C	Housing	A-Coding Male,Black PA66	pcs	1	
B	Terminal	Male Terminal ,Brass With Gold Plated	pcs	X	
A	Screw	Screw M5X0.5,Brass With Nickel Plated	pcs	1	
编号 No.	料号 Materials.No	品名 Name	材料规格 Description	单位 Unit	用量 Qty

NO SPECIFIED TOLERANCE		Cus' P/N:		Order No.:	---		Drawing No.:	SP-02-M000XX	
LINEAR	0.5-6	±0.1	DES.	Jun	DATE	UNITS	mm	THIRD ANGLE PROJECTION	PAGE
	6-30	±0.2							
	>30	±2%							
ANGLES	±1°		CHK.	DATE	SCALE	X:X	文件等级: 外部公开		



慈溪市万捷电子有限公司
CIXI WANJIE ELECTRONIC CO., LTD

PART NO.: M05-AXXP-ST0-M01-BH1